

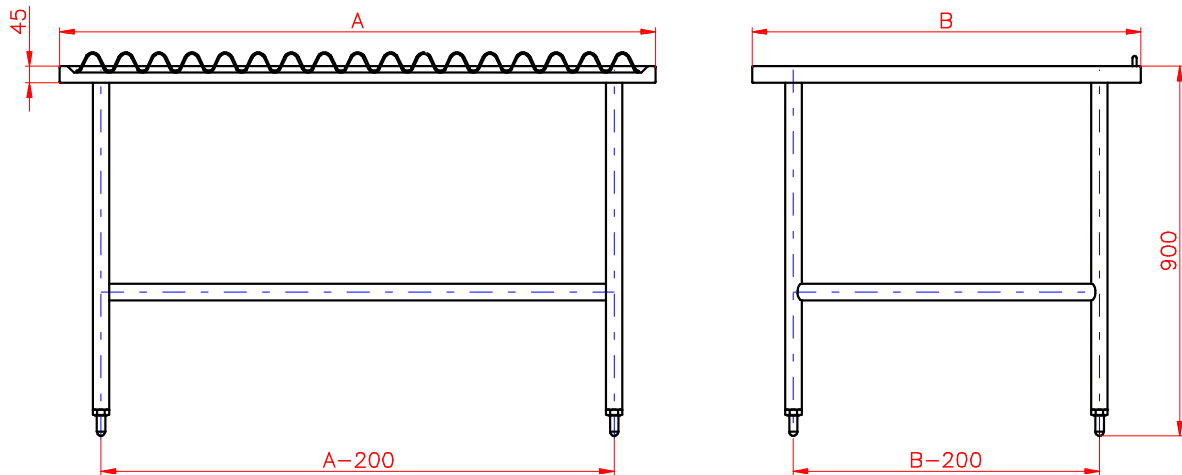


VISCERA INSPECTION TABLE



Strojírna Pálava Maxima s.r.o.

DESÁTKOVÁ 124/15, 623 00 BRNO KOHOUTOVICE
Manufactory: TOVÁRNÍ 34, 679 32 SVITÁVKA, CZECH REPUBLIC
tel: +420 - 516 453 834, fax: +420 - 516 453 834
e-mail: info@s-palava.cz; www.s-palava.cz



Working table is made of stainless steel and answers to hygienic exigencies.
Working desk is framed at three sides and at one lengthwise side is framed with S-tile for fixing the guts.

Technical data

It is produced in two designs :

- for one worker – size 900x1400 mm
- for two workers – size 900x2400 mm